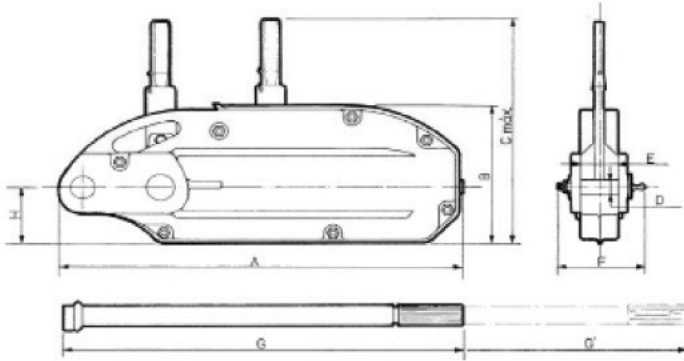


ALBA PULL WINCH

Dimensions



Applications

- Construction
- Mining
- Electricity
- Communication
- Transport
- Rescue

TYPE / mm	ALB080	ALB016	ALB032
A	430	546	663
B	170	203	232
C	268	336	372
D	18	22	28
E	38	48	50
F	109	120	136
G	645	635	635
G'	-	1055	1055
H	60	82	105

Specifications

Model		A8	A16	A32
Stock Code		ALB080	ALB160	ALB320
Rated Capacity	kg	800	1600	3200
Pulling Capacity	kg	1125	2500	5000
Rope movement per cycle	mm	54	58	45
Hand force required	kg	29	40	53
Wire Rope	ømm x m	8.3 x 20	11.3 x 20	16.3 x 20
Weight without rope	kg	6.4	13.7	23.7

