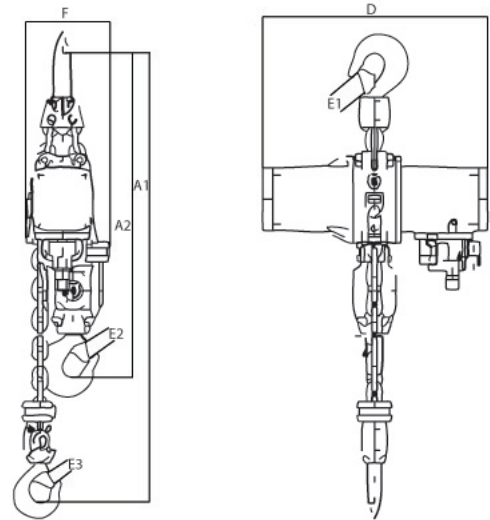


JDN MINING HOIST

Dimensions

TYPE	M64	M63D
A1	603	750
A2	660	870
B1	313	370
B2	370	490
C	175	237
D	375	507
E1	30	40
E2	30	40
E3	30	30
F	144	195



Specifications

Model		M64	M 63 D
Rated Capacity	tonne	1-2	3-6
Stock code		JDN991	JDN990
Weight at standard 3m lift	kg	60	100
Motor output	kW	0.77	1.3
Chain dimension	mm	9x27	13x36
Air pressure	bar	4	4
Air consumption at full load	Lifting m ³ /min	1	2.2
	Lowering	2.0	3.2
Air connection		Rd 32x1/8"	Rd 32x1/8"
Lifting speed at full load	m/min	3-1.5	2.2-1.1
Lowering speed at full load	m/min	12.5-6.5	6-3

* Custom lift heights also available. Weight based on standard model. Lifting speed at 2 m length of control. Longer control hoses decrease the lifting speeds.



43 SPENCER STREET, JANDAKOT WA 6164 TEL: (08) 9417 9128 FAX: (08) 9417 4105
 EMAIL: INFO@VECTORLIFTING.COM.AU WEBSITE: WWW.VECTORLIFTING.COM.AU