

PORTA-DAVIT[®] QUANTUM



600KG
WLL



1
person



From
18.5KG



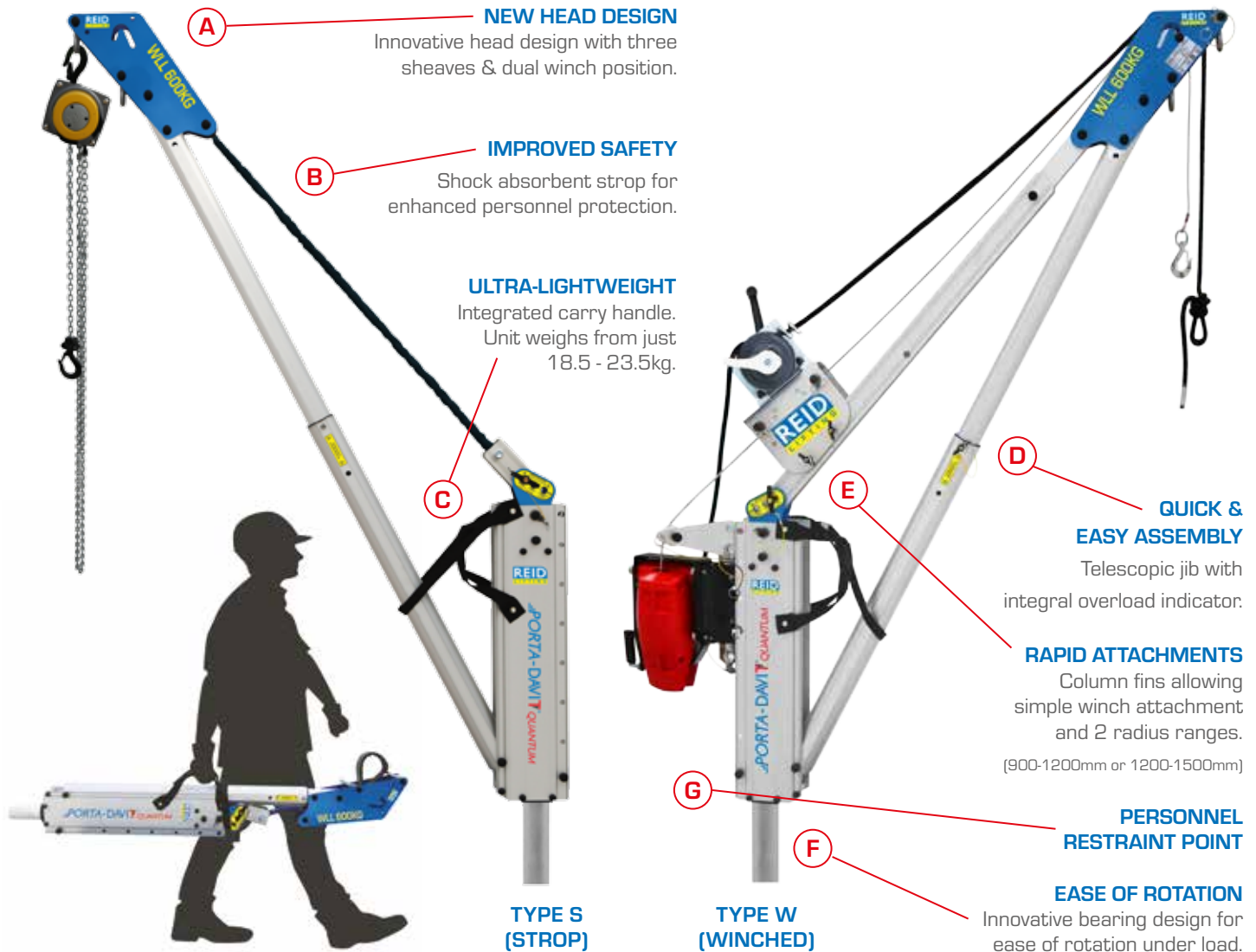
EN795

Strong yet ultra-light system with integrated carry handle, capable of lifting up to 600kg.

This unique, ultra-light and rapidly deployable system is the latest innovation to come from REID Lifting. With a WLL 600kg and weighing from just 18.5kg with an integrated carry-handle, the *PORTA-DAVIT QUANTUM* is easily transported and suitable for a range of applications.



ASSEMBLY
VIDEO



A **NEW HEAD DESIGN**
Innovative head design with three sheaves & dual winch position.

B **IMPROVED SAFETY**
Shock absorbent stroop for enhanced personnel protection.

C **ULTRA-LIGHTWEIGHT**
Integrated carry handle.
Unit weighs from just 18.5 - 23.5kg.

D **QUICK & EASY ASSEMBLY**
Telescopic jib with integral overload indicator.

E **RAPID ATTACHMENTS**
Column fins allowing simple winch attachment and 2 radius ranges.
(900-1200mm or 1200-1500mm)

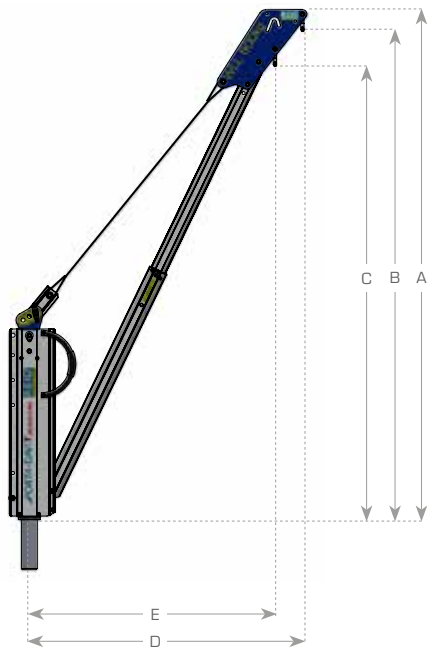
F **PERSONNEL RESTRAINT POINT**

G **EASE OF ROTATION**
Innovative bearing design for ease of rotation under load.

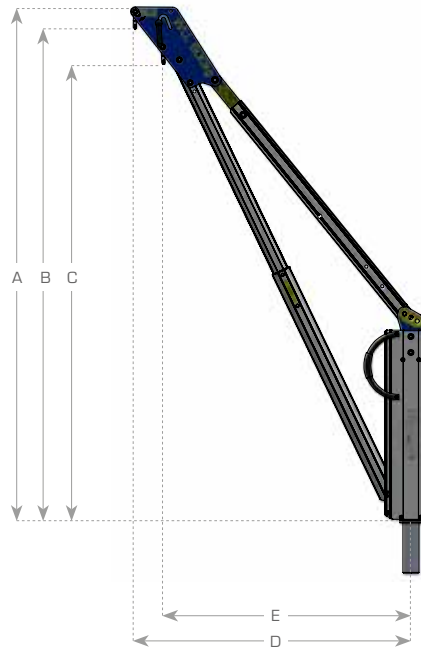
PORTA-DAVIT QUANTUM Information

- **GOODS WLL**
 - *PORTA-DAVIT QUANTUM 1* - up to 600kg at 1200mm radius
 - *PORTA-DAVIT QUANTUM 2* - up to 500kg at 1500mm radius
- **PERSONNEL WLL** Up to 150kg at all configurations
- **1 PERSON FALL ARREST** EN795:2012 certified - as part of an EN363 compliant system
- **ATEX** Suitable for use in ATEX Zone 2 explosive atmospheres. ATEX Zone 1 is available as an upgrade
- **LIGHTWEIGHT & PORTABLE** Manual handling compliant - fully assembled weight from just 18.5kg
 - Integrated carry handle
 - Bagged for easy transportation and storage
- **RAPID ASSEMBLY** No tools needed, assembles on just 1 pin (2 for winched)
- **RADIUS ADJUSTMENT** 900mm -1200mm or 1200mm -1500mm as standard
- **EASE OF ROTATION** 360° rotation under full load with fingertip control
- **CORROSION RESISTANT** Clean anodised finish to increase wear resistance
- **UNIVERSAL KINGPIN** Mates with all 65mm REID sockets (or sleeves for existing sockets)
 - Also suitable for use with socket extensions

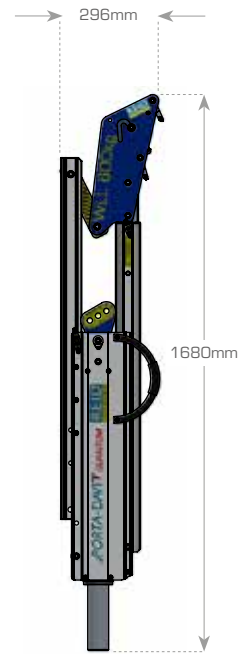
PORTA-DAVIT QUANTUM Dimensions



Type S (Strop)

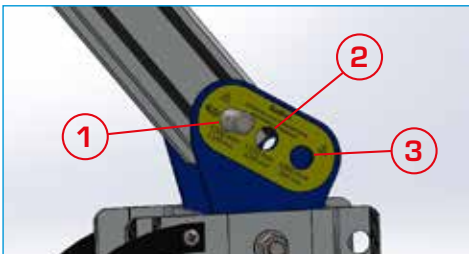


Type W (Winched)



Folded Dimensions

Radius Adjustment Points



| | WLL | Radius Adjustment Points | Dimensions (mm) | | | | |
|-------|-------|--------------------------|-----------------|------|------|------|------|
| | | | A | B | C | D | E |
| PDQ 1 | 600kg | 1 | 2007 | 1935 | 1799 | 1200 | 1100 |
| | | 2 | 2061 | 1989 | 1848 | 1100 | 1000 |
| | | 3 | 2111 | 2039 | 1892 | 1000 | 900 |
| PDQ 2 | 500kg | 1 | 1837 | 1766 | 1647 | 1500 | 1400 |
| | | 2 | 1899 | 1827 | 1703 | 1400 | 1300 |
| | | 3 | 1957 | 1885 | 1755 | 1300 | 1200 |

SOCKETS & EXTENSIONS:

Socket Extensions

The PORTA-DAVIT QUANTUM has been designed to fit all existing and new REID Lifting sockets and socket extensions.

Sockets



Height of Lift: +264mm



Height of Lift: +500mm



Height of Lift: +800mm



Height of Lift: +1100mm